



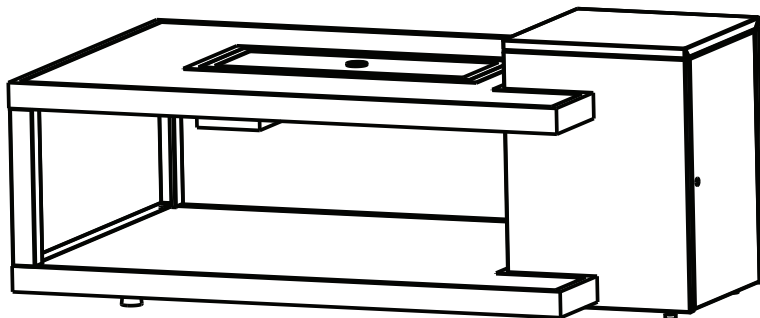
Item # : FP-10185 BK Firepit Table
Model # : FXEE23D33AZ

OUTDOOR FIREPIT

INSTRUCTION MANUAL



WARNING: For outdoor use only.



FOR YOUR SAFETY

If you smell gas:

1. Shut off gas to the appliance.
2. Extinguish any open flame.
3. If odour continues, immediately call gas supplier.

FOR YOUR SAFETY

Do not store or use gasoline or other flammable vapours or liquids in the vicinity of this or any other appliance.

For customer service, parts
or warranty issues:
Call 1-800-561-5550
or e-mail customercare@jrhome.com



Intertek

Conforms to ANSI STD Z21.97-2014, Certified to CSA STD
2.41-2014 Outdoor decorative gas appliances



Electronic ignition.
Requires (1) AAA.
(Not Included)

Establishing a burner ignition for
the FIRST time or after changing
the cylinder tank may take up to
2-3 minutes in order for the gas to
purge through the feeder lines.

FOR OUTDOOR USE ONLY
PLEASE READ INSTRUCTIONS CAREFULLY BEFORE ASSEMBLY
RETAIN THIS MANUAL FOR REFERENCE



Questions, problems, missing parts?

Before returning to your retailer, contact our exceptional customer service.

Contact us by email at customercare@jrhome.com or call us toll-free at
(800) 561-5550, 7:30 a.m. – 4:00 p.m., PST, Monday – Friday .

**** WARNING ****

Improper operation, installation, adjustment, alteration, servicing or maintenance cause severe property damage and /or serious damage and /or serious injury or death. Please read the installation, operating and maintenance instructions thoroughly before installing, operating or servicing this appliance.

PACKAGE CONTENTS — Page 3
HARDWARE CONTENTS — Page 4
ASSEMBLY INSTRUCTIONS — Page 5-10
WARRANTY — Page 11-12

**** For Your Safety ****

If you smell gas :

1. Shut off gas to appliance.
2. Extinguish any open flame.

**** For Your Safety ****

Do NOT store or use gasoline or other flammable vapors in the vicinity of this or any other appliance.

 **WARNING :**

This product can expose you to chemicals including Di(2-ethylhexyl)phthalate (DEHP) and Diisononyl Phthalate (DINP) which is known to the State of California to cause cancer and birth defects or other reproductive harm.
For more information go to www.P65Warnings.ca.gov.



Establishing a burner ignition for the FIRST time or after changing the cylinder tank may take up to 2-3 minutes in order for the gas to purge through the feeder lines.

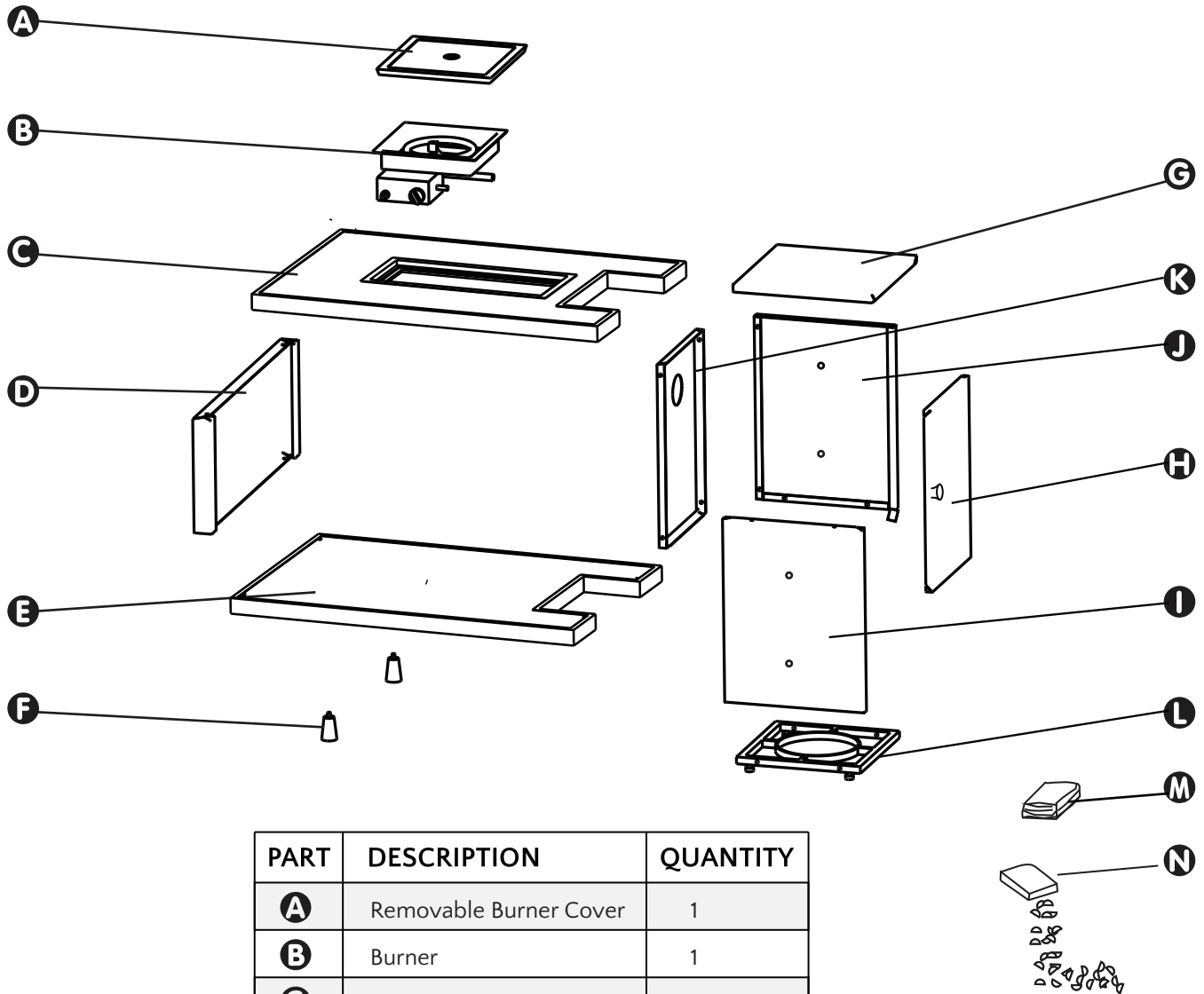
If stored indoors, detach and leave cylinder outdoors.

Keep this manual in your files for future reference.

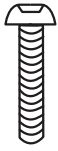
NOTE : 20 lb., 5 Gallon LPG tank is not included.

***** IMPORTANT NOTICE*****

Do NOT return to place of purchase!!!
Please contact our Toll Free Hotline: 1-800-561-5550
for customer service and warranty issues
e-mail: customercare@jrhome.com
Hotline hours: Mon. to Fri. 7:30am - 4:00pm (P.S.T.)



PART	DESCRIPTION	QUANTITY
A	Removable Burner Cover	1
B	Burner	1
C	Table Top	1
D	Back Panel	1
E	Bottom Panel	1
F	Adjustable Foot	2
G	Gas Tank Top Panel	1
H	Gas Tank Door Panel	1
I	Gas Tank Side Panel 1	1
J	Gas Tank Side Panel 2	1
K	Gas Tank Back Panel	1
L	Gas Tank Support	1
M	Protective Cover	1
N	Fire Glass	1



O

Bolt 6x35mm

Qty: 5

(4 for assembly +1 extra)



P

Bolt 6x16mm

Qty: 19

(18 for assembly +1 extra)

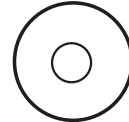


Q

T Plastic Washer 6mm

Qty: 2

(1 for assembly +1 extra)



R

Enlarge Washer 6mm

Qty: 5

(4 for assembly +1 extra)



S

Washer 6mm

Qty: 18

(17 for assembly +1 extra)



T

Half Dome Plastic Cap 6mm

Qty: 3

(2 for assembly +1 extra)



U

Hex Wrench



SAFETY INFORMATION

Please read and understand this entire manual before attempting to assemble, operate or install the product. Solid fuels shall not be burned in this appliance. If you have any questions regarding the product, please call customer service at 1-800-561-5550, 7am-4pm, PST, Monday - Friday. This appliance has been tested to and complies with the ANSI Z21.97-2010, Outdoor Decorative Gas Appliances CGA CR 97-003 Outdoor Gas Fireplaces. The installation must conform to local codes or in the absence of local codes to the National Fuel Gas Code, ANSI Z223.1. This manual contains important information about the assembly, operation and maintenance of this fire pit. General safety information is presented in these first few pages and is also located throughout the manual. Keep this manual for future reference and to educate new users of this product. This manual should be read in conjunction with the labeling on the product. Safety precautions are essential when any mechanical or propane fueled equipment is involved. These precautions are necessary when using, storing, and servicing. Using this equipment with the respect and caution demanded will reduce the possibilities of personal injury or property damage. The following symbols shown below are used extensively throughout this manual. Always heed these precautions, as they are essential when using any mechanical or fueled equipment.

⚠ DANGER

DANGER indicates an imminently hazardous situation which, if not avoided, will result in death or serious injury.

Solid fuels shall not be burned in this appliance.

PREPARATION

Before beginning assembly of product, make sure all parts are present. Compare parts with package contents list and hardware contents above. If any part is missing or damaged, do not attempt to assemble the product. Contact customer service for replacement parts.
 Estimated Assembly Time : 60 minutes

Tools Required for Assembly (not included):
 Phillips screwdriver w/ medium blade. Leak Detection Solution.

1

Assemble **Gas Tank Cover**.

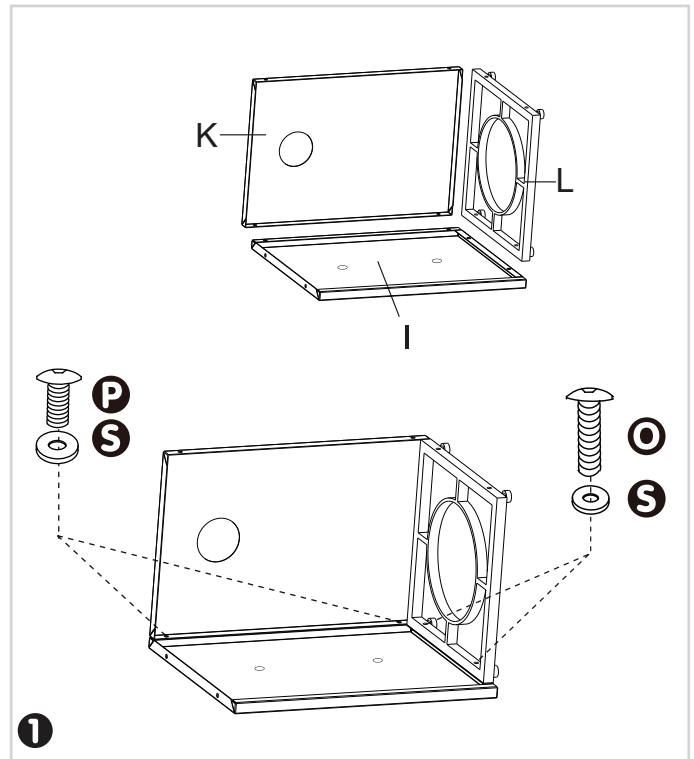
Locate **Gas Tank Back Panel** **K**, **Gas Tank Side Panel** **I**, **Gas Tank Back Support Rack** **L**, Align as shown in the picture,

Insert **Bolt** **O/P** through **Washer** **S** and then through holes in **K/L** into the holes on **Gas Tank Side Panel** **I**,
Note:the **Bolt** **O** should be in the **Gas Tank Support Rack**,
Bolt **P** should through **Gas Tank Back Panel** **K**. Tighten with **Hex Wrench** **U**.



Hardware:

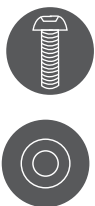
- O** Bolt (6x35mm) x 2
- P** Bolt (6x16mm) x 2
- S** Washer (6mm) x 4
- U** Hex Key x 1



2

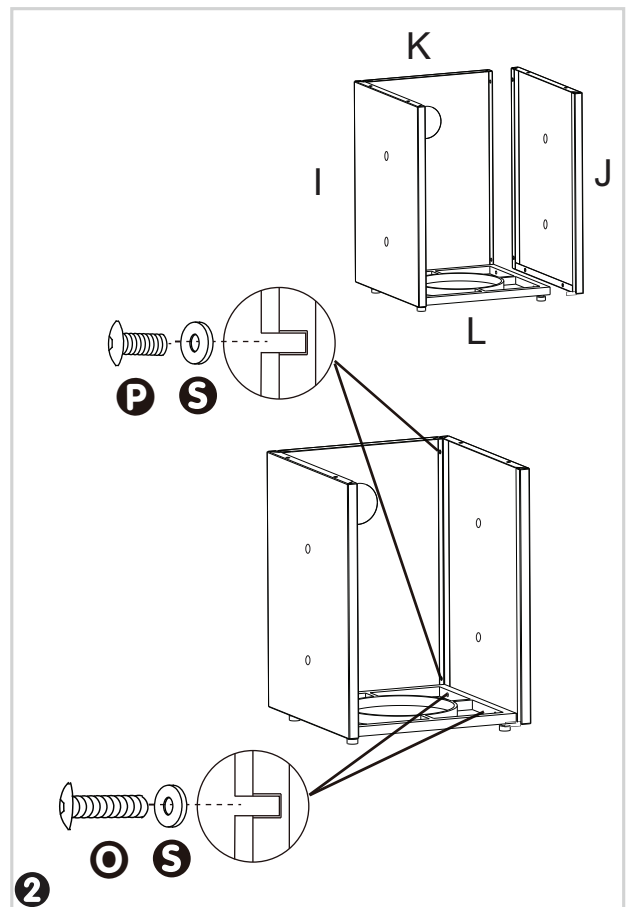
Attached another **Gas Tank Side Panel** **J** to the assembled semi-finished Gas Tank Cover by aligning the holes in the **Gas Tank Side Panel** with the holes in the **Gas Tank Back Panel** and **Gas Tank Support Rack**. Shown in fig.5

Insert **Bolt** **O/P** through **Washer** **S** and then through holes in **K/L** into the holes on **Gas Tank Side Panel** **J**,
Note:the **Bolt** **O** should be in the **Gas Tank Support Rack**,
Bolt **P** should through **Gas Tank Back Panel** **K**. Tighten with **Hex Wrench** **U** Hex Key x 1



Hardware:

- O** Bolt (6x35mm) x 2
- P** Bolt (6x16mm) x 2
- S** Washer (6mm) x 4
- U** Hex Key x 1



3 Attach the **Gas Tank Top Panel G** to the base of gas tank cover. *Note: The 1 hole of G that do not need to be assembled in this step needs to toward the door.*

Insert **Bolt P** through **Washer S** and then through holes in the assembly base of gas tank cover into the holes of **Gas Tank Top Panel**. Tighten with **Hex Wrench U**.

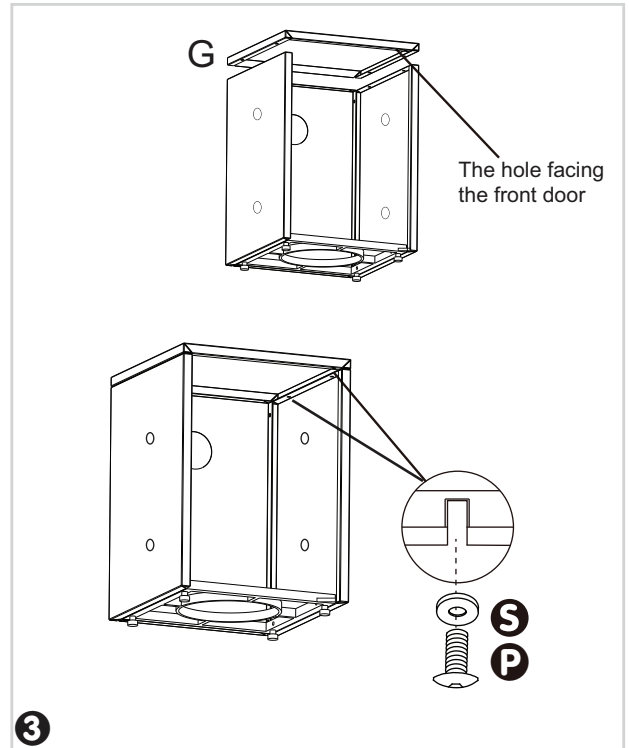


Hardware:

P Bolt (6x16mm) x 4

S Washer (6mm) x 4

U Hex Key x 1



4 Attached the **Gas Tank Door Panel H** to the assembled gas tank cover by aligning the hole in the **G** and **I** with the hole in each end of the Door Panel.

Insert **Bolt P** through **Washer S** into the hole of **G**. then push the **T Plastic Washer Q** into the bottom hole of door, then insert the **Bolt P** through the hole in strip of **I** then through the hole of **T Plastic Washer** into the door. Tighten all bolts with **Hex Wrench U**.



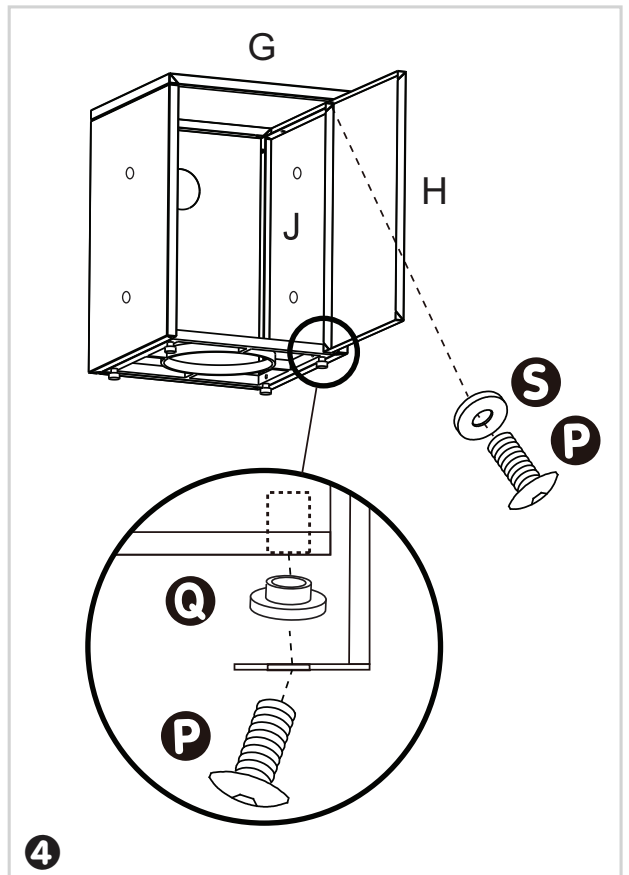
Hardware:

P Bolt (6x16mm) x 2

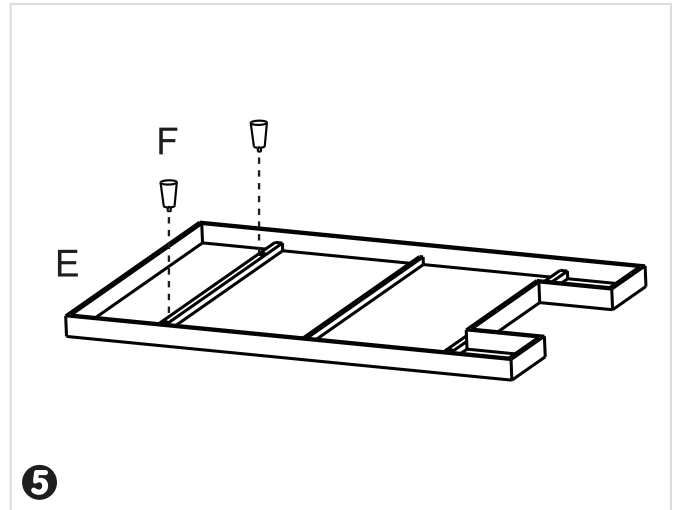
Q T Plastic Washer (6mm) x 1

S Washer (6mm) x 1

U Hex Key x 1



5 Place **Bottom Panel B** upside-down on a non-brasive surface. Locate **Adjustable Foot F**, Screw **Adjustable Foot** into the holes of **Bottom Panel**.



6 Locate assembled **Bottom Panel B**/**Back Panel D** and assembled **Gas Tank Cover**. Attached these parts together by aligning the holes shown in fig.6

Place a **Washer S** on each of 2 **Bolts P** and insert through holes of **Back Panel D** into the holes of **Bottom Panel**, then cover the **Half Dome Plastic Cap T**.

Place a **Enlarge Washer R** on each of 2 **Bolts P** and insert through holes of assembled **Gas Tank Cover** into the holes of **Bottom Panel**.

Tighten all **Bolts P** with **Hex Wrench U**.



Hardware:

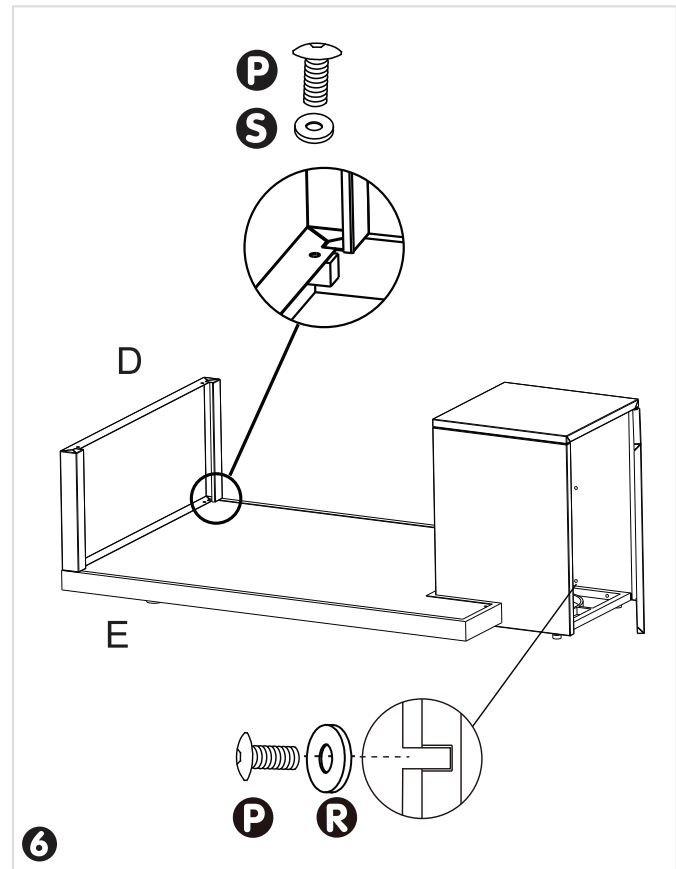
P Bolt (6x16mm) x 4

R Enlarge Washer (6mm) x 2

S Washer (6mm) x 2

T Half Dome Plastic Cap (6mm) x 2

U Hex Key x 1



7 Attach **Table Top C** to the assembled base by aligning holes in the assembled base and holes of Table Top. Show in fig.7

Place a **Washer S** on each of 2 **Bolts P** and insert through holes of **Back Panel D** into the holes of **Table Top**.

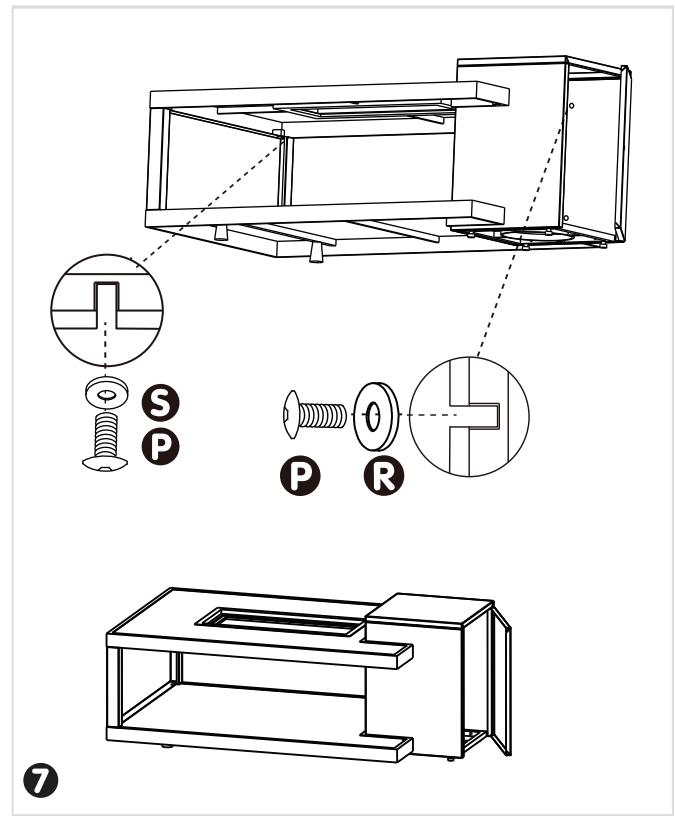
Place a **Enlarge Washer R** on each of 2 **Bolts P** and insert through holes of **assembled Gas Tank Cover** into the holes of **Table Top**.

Tighten all **Bolts P** with **Hex Wrench U**.



Hardware:

- P** Bolt (6x16mm) x 4
- R** Enlarge Washer (6mm) x 2
- S** Washer (6mm) x 2
- U** Hex Key x 1



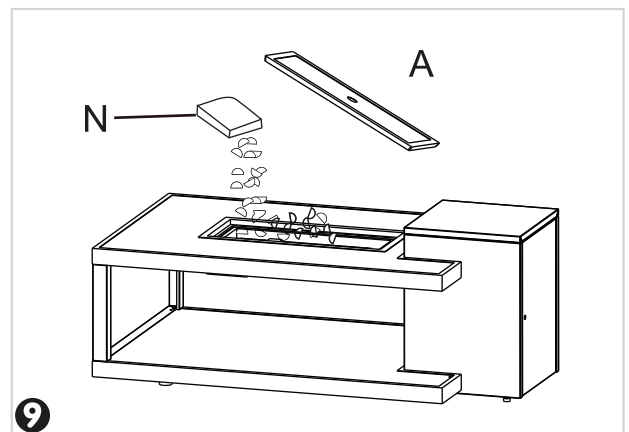
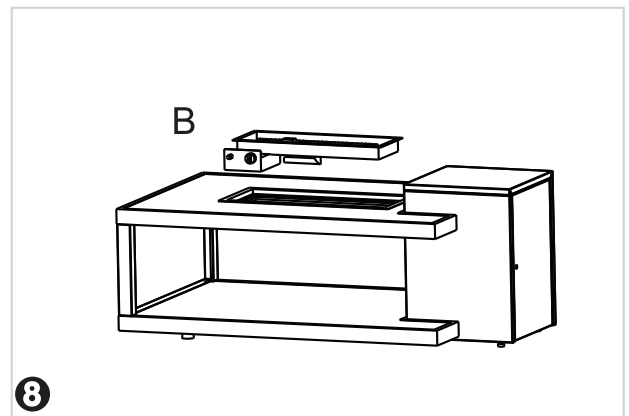
8 Gently place the **Burner B** into the hole in the **Table Top C**, allowing the hose and regulator to drop into the fire pit base. Make sure the tube on the Burner faces the gas tank cover

Unscrew the igniter button and insert a AAA Battery with positive end facing out. Screw the button back onto the control panel.

9 Pour the **Fire Glass N** around the **Burner**. Be careful not to obstruct pilot light housing. Put the **Removable Burner Cover A** on the **Burner**.

When the fire pit is NOT in use, or after use, when the fire pit has cooled COMPLETELY, cover it with the **Protective Cover M**.

DO NOT PUT THE PROTECTIVE FIRE PIT COVER ON A HOT FIRE PIT.

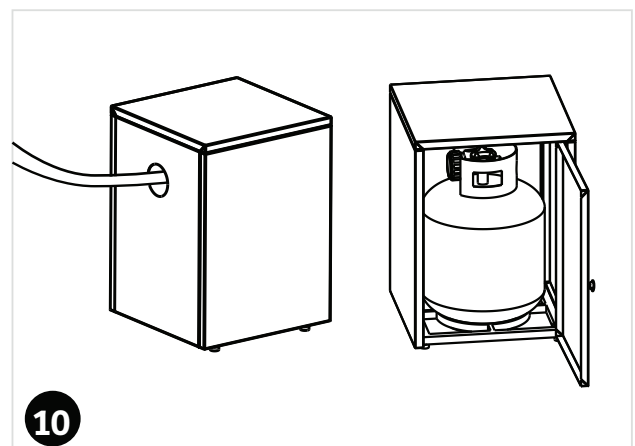
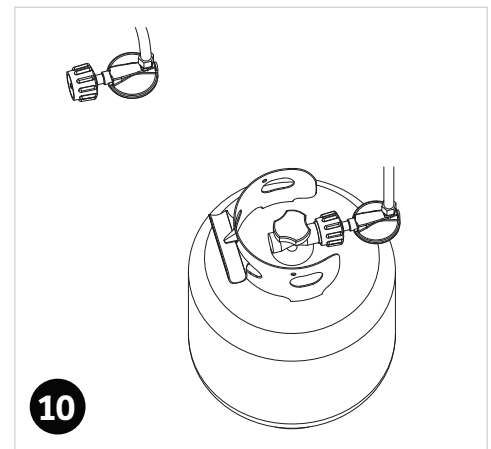
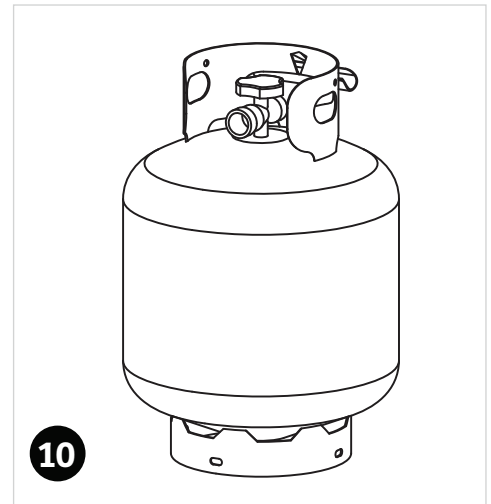


10 Connect hose and regulator to cylinder. The propane gas and cylinder are sold separately. Use a standard 20lb propane cylinder only. Use this fire pit only with a propane vapor withdrawal supply system. See chapter 5 of the standard storage and handling of liquefied petroleum gas, ANSI/NFPA 58. Your local library or fire department should have this book.

Storage of an appliance indoors is permissible only if the cylinder is disconnected and removed from the appliance. A cylinder must be stored outdoors in a well-ventilated area out of the reach of children. A disconnected cylinder must have dust caps tightly installed and must not be stored in a building, garage or any other enclosed area. The maximum inlet gas supply pressure: 250 PSI, the minimum inlet gas supply pressure: 5 PSI.

The minimum hourly of 10,000 BTU is required input rating for a fire pit for automatic operation at ratings less than full input rating. The pressure regulator and hose assembly supplied with the appliance must be used.

The installation must conform with local codes, or in the absence of local codes, with national fuel gas code, ANSI Z223.1/NFPA54, natural gas and propane Installation Code, CSA B 149.1, or propane storage and handling code, B149.2.



A dented, rusted or damaged propane cylinder may be hazardous and should be checked by your cylinder supplier. Never use a propane cylinder with a damaged valve connection.

The propane cylinder must be constructed and marked in accordance with the specifications for LP gas cylinders of the U.S. Department of Transportation (DOT) or the standard for cylinders, spheres and tubes for transportation of dangerous goods and commission, CAN/CSA-B339.

The cylinder must have a listed overfilling prevention device.

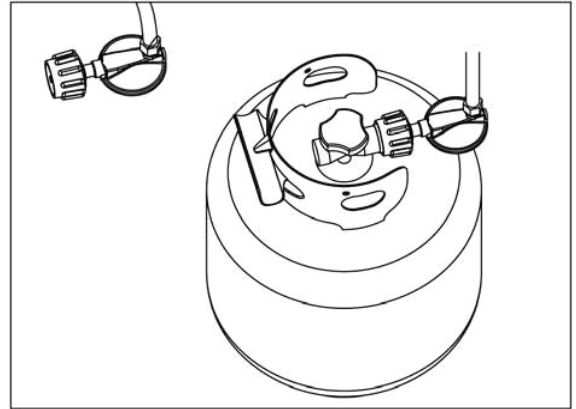
The cylinder must have a connection device compatible with the connection for the appliance.

The cylinder used must include a collar to protect the cylinder valve.

Never connect an unregulated propane cylinder to the heater.

Attach regulator to cylinder. Complete attachment.
Install cylinder.

Secure the propane cylinder with the cylinder screw by tightening the screw until it comes in contact with the cylinder.



- Do not store a spare LP-gas cylinder under or near this appliance;
- Never fill the cylinder beyond 80 percent full;
- Place the dust cap on the cylinder valve outlet whenever the cylinder is not in use. Only install the type of dust cap on the cylinder valve that is provided with the cylinder valve. Other type of caps or plugs may result in leakage of propane.

ATTENTION: THIS PRODUCT IS NOT FOR COMMERCIAL USE. INTENDED FOR RESIDENTIAL USE ONLY.

Do not sit or stand on this fire pit table .

Keep children away during assembly, as this item contains small parts which can be swallowed by children.

Do not use indoors or inside any enclosure.

Retain the assembly instructions for future reference.

Installer – Please leave these instructions with the owner.

PROBLEM	POSSIBLE CAUSE	CORRECTIVE ACTION
Burner will not light	Propane cylinder is frosted over	Wait until the propane cylinder warms up and becomes unfrosted
	Blockage in orifice	Clear blockage
	Control knob is not in ON position	Turn control knob to ON
Burner flame is low	Gas pressure is low	Turn cylinder valve OFF and replace cylinder
	Outdoor temperature is less than 40°F and tank is less than 1/4 full	Use a full cylinder
	Control knob fully ON	Check burner and orifices for blockage
Carbon build-up Thick Black Smoke	Dirt or film on burner screen	Clean burner screen
	Blockage in burner	Remove blockage and clean burner screen inside and outside.

WARRANTY AND REVIEWS



Extend Your Warranty By Leaving A Review

We want your opinion about your purchase...and we want you to tell everyone about it!

Just leave a review for the product on the retailers website where you made your purchase, or at www.jrhome.com, and fill in the online warranty at www.jrhome.com/warranty-registration within 30 days of purchase to receive a complimentary extra year of warranty protection.

Faites Part de Votre Évaluation et Prolongez Votre Garantie

Nous désirons connaître votre opinion sur nos produits ... et nous vous invitons à la partager!

Laissez simplement votre opinion concernant le produit sur le site internet du détaillant où vous avez fait votre achat ou au www.jrhome.com et remplissez la fiche de garantie en ligne au <https://www.jrhome.com/warranty-registration> afin de recevoir gratuitement une prolongation d'un an de la garantie de protection.

Follow us on/ Suivez-nous sur:



www.jrhome.com #jrhome #paramount

IMPORTANT

For questions, concerns or problems with our product please email our customer service department:

customercare@jrhome.com

DATED PROOF OF PURCHASE REQUIRED FOR WARRANTY SERVICE

Si vous éprouvez des difficultés ou si vous avez des questions ou des préoccupations, prière de faire parvenir un courriel à notre service à la clientèle

customercare@jrhome.com

UNE PREUVE D'ACHAT DATÉE EST REQUISE POUR SE PRÉVALOIR DE LA GARANTIE.

WARRANTY

This product is inspected, tested and carefully packaged to minimize the chance of damage during shipment. If a part (excluding light bulbs, glass and fuses*) within one year from the date of purchase proves to be defective in material or fabrication under normal use, the part will be repaired or replaced. The Company's obligation under the warranty is to replace or repair defective parts at our discretion. Any expenses or damage resulting from the installation, removal or transportation of the product will be the responsibility of the owner and are not covered by this warranty. The owner assumes all other risks arising from the use or misuse of the product. The warranty will be void if the product damage or failure is deemed by the Company to be caused by accident, alteration, misuse, abuse, incorrect installation or removal, or connection to an incorrect power source by the owner. The Company neither assumes, nor authorizes any person or entity to assume for it any obligation or liability associated with its products. Light bulbs and fuses are not covered under this warranty. If you have any questions regarding the warranty or service, please contact us at **customercare@jrhome.com**.

Customer Service :

JR Home Products

Unit 306 - 19100 Airport Way, Pitt Meadows, BC V3Y 0E2

Toll Free : 1-800-561-5550

E-mail : **customercare@jrhome.com**

AVERTISSEMENT

Ce produit a été soigneusement inspecté, testé et emballé afin de minimiser les risques de dommages durant le transport. Si l'une des pièces (à l'exception des verres, des ampoules électriques et des fusibles*) s'avère défectueuse au niveau de sa fabrication ou de ses matériaux dans l'année qui suit la date de l'achat suite à une utilisation normale, la pièce sera réparée ou remplacée. La compagnie est tenue de réparer ou remplacer les pièces défectueuses à sa discrétion, en vertu de la garantie. Tous frais ou dommage résultant de l'installation, du démantèlement ou du transport du produit demeurent la responsabilité du client et n'est pas couvert par cette garantie. Le client assume tout autre risque résultant de l'utilisation correcte ou fautive du produit. La garantie devient nulle si la compagnie détermine que le dommage ou le mauvais fonctionnement est causé par un accident, une modification, une mauvaise utilisation, un abus, une mauvaise installation ou un mauvais démantèlement ou un branchement à une source électrique inadéquate de la part du client. La compagnie n'est pas responsable et n'autorise quiconque, personne ou entité légale, à accepter de responsabilité ou obligation en son nom, en rapport avec ses produits. * Les ampoules électriques et les fusibles ne sont pas couverts par cette garantie. Pour toute question au sujet de la garantie ou du service, contacter le service à la clientèle à : **customercare@jrhome.com**.

Service à la clientèle:

JR Home Products

Unit 306 - 19100 Airport Way, Pitt Meadows BC V3Y 0E2 Numéro

sans frais: 1-800-561-5550

Courriel: **customercare@jrhome.com**

You MUST register your product within 30 days of purchase to receive warranty service.

Registration can be completed online at **www.jrhome.com** or by mailing this form.

Vous DEVEZ enregistrer votre produit dans les 30 jours suivant l'achat pour bénéficier du service de garantie.

L'enregistrement sera complet une fois que vous aurez posté ce formulaire ou que vous serez inscrit en ligne.

Warranty Registration Information Form / Formulaire d'enregistrement de la garantie

Name / Nom : _____

Street / Adresse : _____

City / Ville : _____

Province / Province : _____

Postal Code / Code postal : _____

Daytime Phone # / No téléphone jour : _____

Evening Phone # / No téléphone soir : _____

E-Mail Address / Courriel : _____

Product/Produit : _____

Place of Purchase / Lieu de l'achat : _____

Date of Purchase / Date de l'achat : _____

Model # / No de modèle : _____

Serial # / Numéro de série : _____

You MUST register your product to receive warranty service.

For warranty service, contact J&R Home Products at the address, phone numbers listed below within 30 days of purchase. Be sure to have your sales receipt and original date of purchase. All warranty service will be coordinated by J&R Home Products service center.

Vous DEVEZ enregistrer votre produit pour vous prévaloir de la garantie.

Afin de faire valoir la garantie, communiquez avec J&R Home Products à l'adresse et aux numéros indiqués ci-dessous dans les 30 jours suivant la date d'achat. Ayez en main votre reçu et la date d'achat. Toutes les demandes liées aux garanties seront traitées par le centre de service de J&R Home Products.